

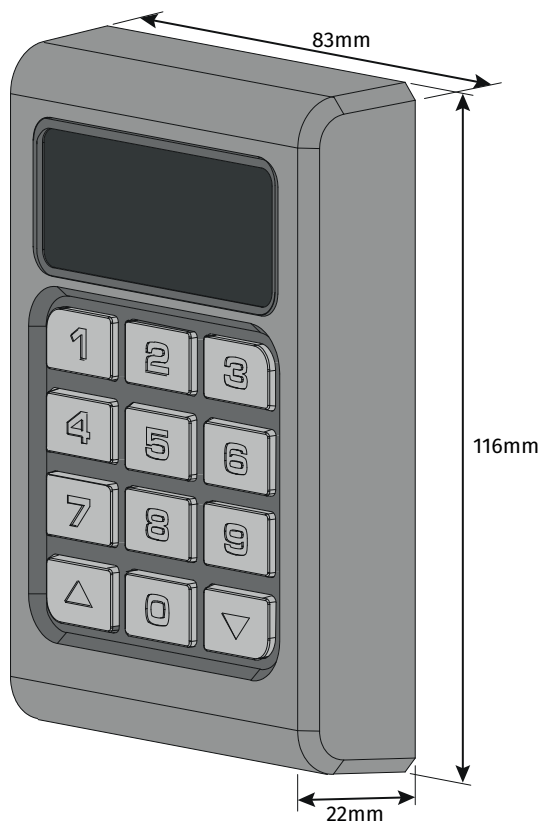


# TEC2

## USER/INSTALLER MANUAL



v1.1  
REV. 03/2025



**Motorline**<sup>®</sup>  
PROFESSIONAL

## TEC2

### Wireless keyboard suitable for outdoor use:

- Protection class: IP65
- Can open up to 2 devices on the same keyboard
- Anti-vandalism - built in aluminum
- Built-in lighting on the buttons
- Battery powered

Compatible only with Motorline<sup>®</sup> control boards or receivers.

### WARNINGS

- Keep in mind that door and gate opening automations should only be installed by qualified technicians, complying with all standards established by law.
- Before proceeding with the installation, make sure that all requirements mentioned in the “Technical Characteristics” chapter are met.
- This product was designed to control the automation of opening doors, gates, and similar mechanisms. Any use other than that provided for in this manual is considered inappropriate and will invalidate the warranty.
- Operating range may be 25-30% shorter with low battery.

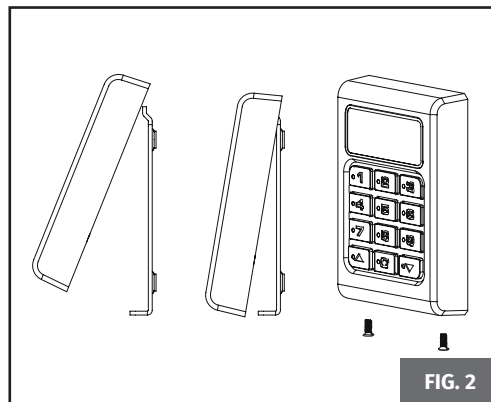
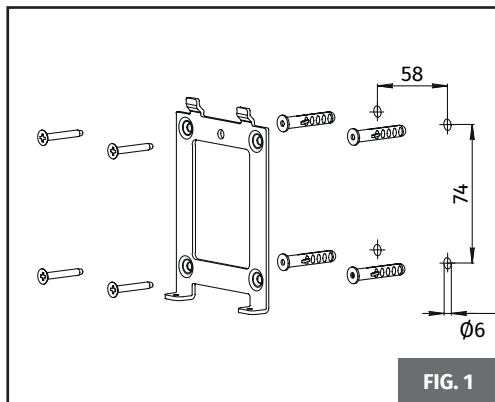
### TECHNICAL CHARACTERISTICS

• Battery	CR2450 3B DC/580 mAh
• Frequency	433.92±0.15 MHz
• Transmission power	0.1 mW
• Maximum code limit	0 to 8 digits (99,999,999 combinations)
• Medium range in open space	100 meters
• Medium range in closed space (with obstacles)	35 meters
• Battery capacity	2 years with average use of 10 emissions per day
• Auto sleep mode time	5 seg.
• Protection class	IP65
• Operating temperature	-20°C to +50°C
• Dimensions	83 × 116 × 22 mm
• Weight	300 g

## INSTALLATION

Before carrying out the actual installation, you must test the keyboard in order to confirm the effective signal range and its proper functioning.

Attach the mounting bracket (Fig. 1) and install the keyboard on it (Fig. 2).



## METHOD OF USE

Using the keyboard is based on a previously programmed button combination using the numeric keypad. After entering the numeric button combination, the ▼ or ▲ button must be pressed, depending on the channel you want to use:

- Channel 1 if the ▲ button is pressed
- Channel 2 if the ▼ button is pressed

The signal will only be transmitted when a valid button sequence has been entered - if an invalid sequence has been entered, the Keyboard will emit an audible warning (5 short beeps). The combination entered must be exact, as if e.g. is 0422, combinations such as 422, 10422 ▼ or ▲ 04222 will be interpreted as wrong. Therefore, if you have inadvertently pressed a wrong button, you must press or to generate the input error and clear the memory, and after the beep you can enter the correct sequence.

While entering the correct sequence you must not let more than 6 seconds pass between each button press, otherwise the keyboard will clear the memory, you must enter the entire sequence again.

The keypad has the same combination of digits (the same code) for activating the ▲ and ▼ channels. The factory setting of the channel 1 (▲) and channel 2 (▼) digit combination is 1234.

Audible signal	Meaning
1 short beep	Functioning of buttons when entering a combination
1 long beep	Correct combination
5 short beeps	Error typing (or combination change)
1 silent beep after pressing the button	Low battery signal The battery must be replaced

## CHANGE BUTTON COMBINATIONS

To prevent unauthorized control, change the channel code digit combination.

	Action	Function
1	Press 0 and hold	1 short beep
2	Press and release ▲	1 long beep
3	Release 0	-
4	Enter the current (original) combination and press ▲	Short beeps when pressed
5	Enter a new combination (up to 8 digits) and press ▲	Short beeps when pressed
6	Enter a new combination again and press ▲	1 short beep when you press ▲ for the last time

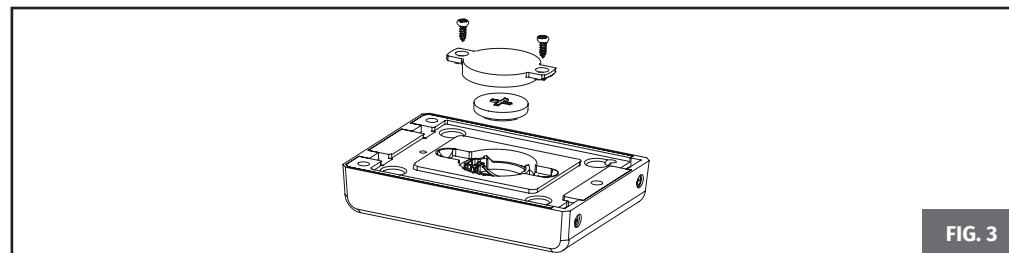


If you changed the button combination and did not enter a combination, the security system will be deactivated by simply pressing the ▼ or ▲ buttons to output pulses from Channels 1 or 2 respectively.

When the code has the maximum number of digits and different digit combinations, it provides high access security.  
Keep your personal code in a safe place in case of need.

## CHANGE THE BATTERY

To change the battery, you must remove the keyboard from the wall, open the keyboard and change the battery (Fig. 3)



## RESET TO FACTORY SETTINGS

To reset the keyboard, you must send it to our technical services.